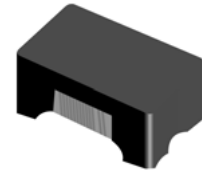


Wire Wound Chip Common Mode Choke Coil

Features

- Winding type realizes small size and low profile.
- Prevention of common mode noise at high frequency.
- 30Ω~2200Ω are optional for different noise level and signal frequency.
- Excellent solderability.
- Operating Temp. : -40°C~+85°C
- RoHS Compliant.
- Halogen Free available.



Applications

- USB2.0 of PC, peripheral equipments, small digital AV equipments, etc.
- LVDS lines of Note PC, LCD
- Audio lines

Environmental Data

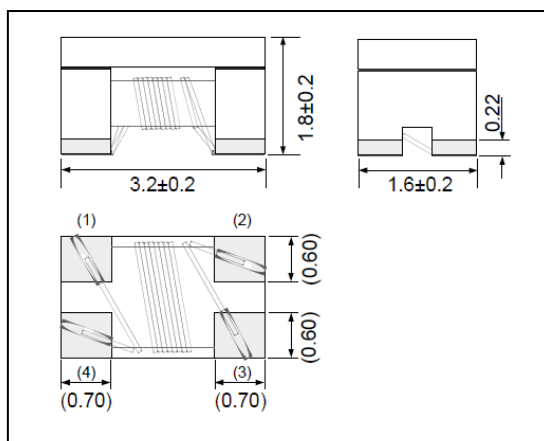
- Operating temperature range: -55°C~+85°C
(including coil's Self temperature rise)
- Storage temperature range: -55°C~+85°C
- Solder reflow temperature: 260°C Peak

Environmental Data

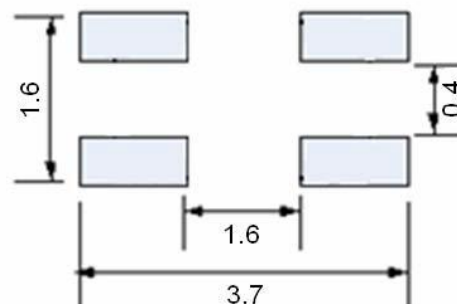
- Carrier tape and reel packaging.
- 1500pcs/Reel.

DIMENSIONS (millimeters)

CW3216 Type



Recommended Land Pattern



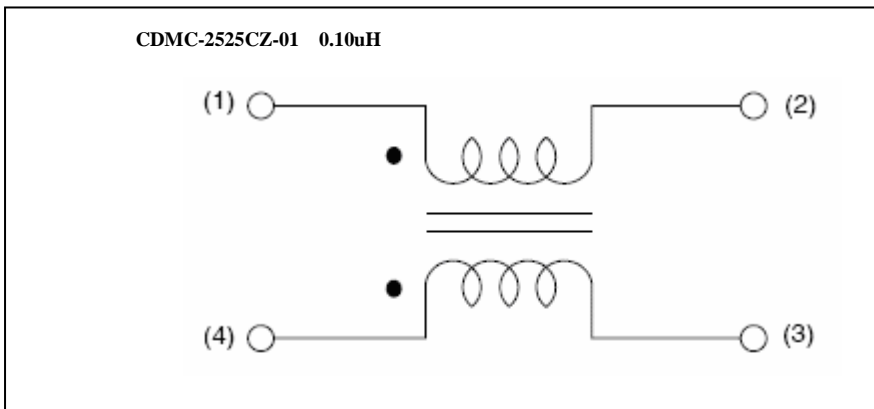
CW3216 Series Specification

Part Number	Common Mode Impedance @100MHz	Max. DC Resistance	Max. Rated Current	Rated Voltage	Min. Insulation Resistance
Units	Ω	Ω	mA	Volts	M Ω
Symbol	Z	DCR	I _r	V _{DC}	IR
CW3216-2-900TF	90±25%	0.30	370	50	20
CW3216-2-161TF	160±25%	0.40	340	50	10
CW3216-2-261TF	260±25%	0.50	310	50	10
CW3216-2-601TF	600±25%	0.80	260	50	10
CW3216-2-102TF	1000±25%	1.00	230	50	10
CW3216-2-222TF	2200±25%	1.20	200	50	10

NOTE :

- Products with other electrical characteristics can be provided upon customer's request. Please contact your local sales

EQUIVALENT CIRCUIT



TYPICAL ELECTRICAL CHARACTERISTICS

CW3216 TYPE
(90~2200Ω)

