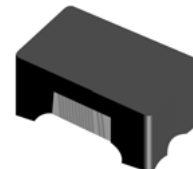


Wire Wound Chip Common Mode Choke Coil

Features

- Winding type realizes small size and low profile.
- Prevention of common mode noise at high frequency.
- 330Ω-1400Ω are optional for different noise level and signal frequency.
- Excellent solderability.
- Operating Temp. : -40°C ~ +85°C
- RoHS Compliant.
- Halogen Free available.



Applications

- USB2.0 of PC, peripheral equipments, small digital AV equipments, etc.
- LVDS lines of Note PC, LCD
- Audio lines

Environmental Data

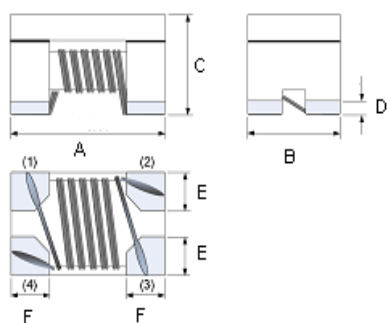
- Operating temperature range: -55°C ~ +85°C
(including coil's Self temperature rise)
- Storage temperature range: -55°C ~ +85°C
- Solder reflow temperature: 260°C Peak

Environmental Data

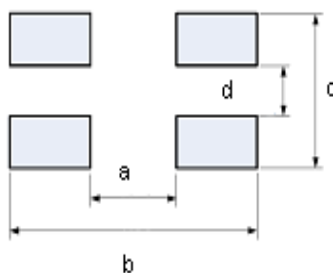
- Carrier tape and reel packaging.
- 600pcs/Reel.

DIMENSIONS (millimeters)

CW4532 Type



Recommended Land Pattern



Unit: mm

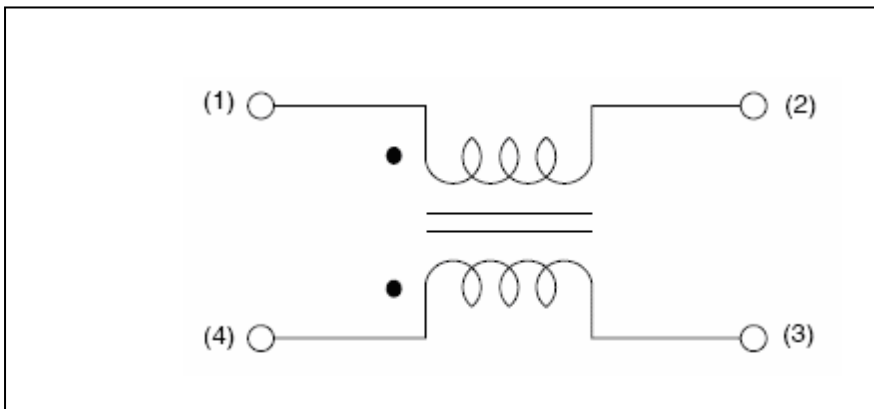
Series	A	B	C	D Max.	E Typ.	F Typ.	a Typ.	b Typ.	c Typ.	d Typ.
CW1210	1.2±0.2	1.0±0.2	0.8±0.1	0.10	0.36	0.33	0.50	1.55	1.00	0.30
CW1608	1.6±0.1	0.8±0.1	1.1±0.1	0.10	0.25	0.33	0.73	1.89	0.85	0.25
CW2520	2.5±0.2	2.0±0.2	1.2±0.2	0.20	0.60	0.45	1.20	3.20	2.00	0.60
CW3225	3.2±0.2	2.5±0.2	1.8±0.2	0.30	0.80	0.60	2.20	4.00	2.50	0.90
CW4532	4.5±0.2	3.2±0.2	2.8±0.2	0.50	1.10	0.80	2.70	5.10	3.20	1.00

Part Number	Common Mode Impedance @100MHz	Max. DC Resistance	Max. Rated Current	Rated Voltage	Min. Insulation Resistance
Units	Ω	Ω	mA	Volts	M Ω
Symbol	Z	DCR	I _r	V _{dc}	IR
CW4532-2-331TF	330±25%	0.11	1100	50	10
CW4532-2-601TF	600±25%	0.12	1000	50	10
CW4532-2-801TF	800±25%	0.16	900	50	10
CW4532-2-102TF	1000±25%	0.18	800	50	10
CW4532-2-142TF	1400±25%	0.20	700	50	10

NOTE :

●Products with other electrical characteristics can be provided upon customer's request. Please contact your local sales

EQUIVALENT CIRCUIT



TYPICAL ELECTRICAL CHARACTERISTICS

CW4532 TYPE

