

Multilayer Ferrite SMD Inductors

Features

- Very large rated current and low direct-current resistance.
- No cross coupling between inductors due to low magnetic shield and high reliability.
- No lead, ideal for high density SMT installation, with no directionality.
- Superior solderability and resistance to soldering heat, ideal for wave or reflow soldering.



Applications

- VCD/DVD digital cameras personal computers etc.

Environmental Data

- Operating temperature range (including coil's Self temperature rise):

1005 (-55°C~+125°C)

1608 (-40°C~+85°C)

2012 (-40°C~+85°C)

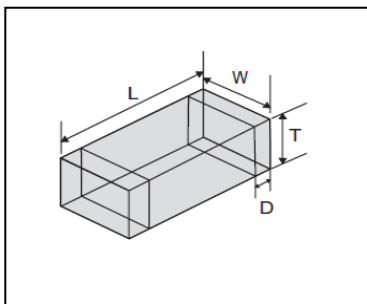
Ordering Code

ISL B201209 VD - 101K

① ② ③ ④

①Type		②Material		③Body size(L*W)	
ISL		Ferrite Bobbin		100505	1.0*0.5
				160809	1.6*0.8
				201209	2.0*1.2
④Material		⑤Inductance Value(uH)		⑥Inductance Tol(%)	
VD		47N	0.047	J	±5
UD		R10	0.1	K	±10
VE		1R0	1.0	M	±20
UE		100	10	N	±30

Sape& Dimension (Unit:mm)



TYPE	L	W	T	D
ISLB100505	1.0±0.15	0.5±0.15	0.5±0.15	0.25±0.15
ISLB160808	1.6±0.20	0.8±0.20	0.8±0.20	0.30±0.20
ISLB201209	2.0±0.20	1.2±0.20	0.9±0.20	0.50±0.30
ISLB201212	2.0±0.20	1.2±0.20	1.2±0.20	0.50±0.30
ISLB252009	2.5±0.20	2.0±0.20	0.9±0.20	0.50±0.30
ISLB321609	3.2±0.20	1.6±0.20	1.1±0.20	0.50±0.30

ISLB201209-D

Part Number	Inductance	Test Fre.	SRF Min.	DCR Max.	Ir Max.
	uH	MHz	MHz	Ω	mA
ISLB201209VD-47NK	0.047	1	280	0.10	1100
ISLB201209VD-56NK	0.056	1	280	0.10	1100
ISLB201209VD-68NK	0.068	1	250	0.15	1100
ISLB201209VD-82NK	0.082	1	250	0.15	1100
ISLB201209VD-R10K	0.10	1	210	0.15	1100
ISLB201209VD-R12K	0.12	1	200	0.15	1100
ISLB201209VD-R15K	0.15	1	175	0.15	1100
ISLB201209VD-R18K	0.18	1	160	0.15	1100
ISLB201209VD-R22K	0.22	1	150	0.15	1100
ISLB201209VD-R27K	0.27	1	130	0.15	1100
ISLB201209VD-R33K	0.33	1	120	0.15	1100
ISLB201209VD-R39K	0.39	1	110	0.15	1100
ISLB201209VD-R47K	0.47	1	100	0.15	1100
ISLB201209VD-R56K	0.56	1	100	0.20	800
ISLB201209VD-R68K	0.68	1	95	0.20	800
ISLB201209VD-R82K	0.82	1	90	0.20	800
ISLB201209UD-1R0K	1.0	1	75	0.24	800
ISLB201209UD-1R2K	1.2	1	65	0.24	800
ISLB201209UD-1R5K	1.5	1	60	0.30	700
ISLB201209UD-1R8K	1.8	1	55	0.36	600
ISLB201209UD-2R2K	2.2	1	50	0.36	600
ISLB201209UD-2R7K	2.7	1	45	0.36	600
ISLB201209UD-3R3K	3.3	1	41	0.40	350
ISLB201209UD-3R9K	3.9	1	38	0.40	350
ISLB201209UD-4R7K	4.7	1	35	0.40	350
ISLB201209UD-5R6K	5.6	1	32	0.50	250
ISLB201209XD-6R8K	6.8	1	29	0.50	250
ISLB201209XD-8R2K	8.2	1	26	0.56	250
ISLB201209XD-100K	10	1	24	0.56	250
ISLB201209XD-120K	12	1	22	0.56	250
ISLB201209JD-150K	15	1	19	0.65	100
ISLB201209JD-180K	18	1	18	0.65	100
ISLB201209JD-220K	22	1	16	0.65	100

ISLB252009-D

Part Number	Inductance	Test Fre.	SRF Min.	DCR Max.	Ir Max.
	uH	MHz	MHz	Ω	mA
ISLB252009UD-1R0K	1.0	1	70	0.12	1500
ISLB252009UD-1R2K	1.2	1	50	0.15	1500
ISLB252009UD-1R5K	1.5	1	50	0.15	1500
ISLB252009UD-1R8K	1.8	1	40	0.18	1000
ISLB252009UD-2R2K	2.2	1	40	0.18	1000
ISLB252009UD-2R7K	2.7	1	30	0.22	1000
ISLB252009UD-3R3K	3.3	1	30	0.22	1000
ISLB252009UD-3R9K	3.9	1	25	0.26	1000
ISLB252009UD-4R7K	4.7	1	25	0.26	1000

ISLB321609-D

Part Number	Inductance	Test Fre.	SRF Min.	DCR Max.	Ir Max.
	uH	MHz	MHz	Ω	mA
ISLB321609VD-47NK	0.047	1	250	0.01	1800
ISLB321609VD-56NK	0.056	1	250	0.01	1800
ISLB321609VD-68NK	0.068	1	230	0.06	1800
ISLB321609VD-82NK	0.082	1	230	0.06	1800
ISLB321609VD-R10K	0.10	1	215	0.06	1500
ISLB321609VD-R12K	0.12	1	190	0.06	1500
ISLB321609VD-R15K	0.15	1	165	0.06	1500
ISLB321609VD-R18K	0.18	1	150	0.06	1500
ISLB321609VD-R22K	0.22	1	130	0.06	1500
ISLB321609VD-R27K	0.27	1	110	0.06	1500
ISLB321609VD-R33K	0.33	1	100	0.06	1500
ISLB321609VD-R39K	0.39	1	90	0.09	1400
ISLB321609VD-R47K	0.47	1	80	0.09	1400
ISLB321609VD-R56K	0.56	1	75	0.10	1100
ISLB321609VD-R68K	0.68	1	65	0.10	1100
ISLB321609VD-R82K	0.82	1	60	0.10	1100
ISLB321609UD-1R0K	1.0	1	60	0.15	1200
ISLB321609UD-1R2K	1.2	1	65	0.15	1200
ISLB321609UD-1R5K	1.5	1	60	0.17	1000
ISLB321609UD-1R8K	1.8	1	55	0.24	900
ISLB321609UD-2R2K	2.2	1	50	0.24	900
ISLB321609UD-2R7K	2.7	1	45	0.30	800
ISLB321609UD-3R3K	3.3	1	41	0.30	800
ISLB321609UD-3R9K	3.9	1	38	0.38	700
ISLB321609UD-4R7K	4.7	1	35	0.38	700
ISLB321609UD-5R6K	5.6	1	32	0.45	500

ISLB321609XD-6R8K	6.8	1	29	0.45	500
ISLB321609XD-8R2K	8.2	1	26	0.55	300
ISLB321609XD-100K	10	1	24	0.55	300
ISLB321609XD-120K	12	1	22	0.55	300
ISLB321609JD-150K	15	1	19	0.65	100
ISLB321609JD-180K	18	1	18	0.65	100
ISLB321609JD-220K	22	1	16	0.85	100
ISLB321609JD-270K	27	1	14	0.85	100

ISLB100505-E

Part Number	Inductance	Q Min.	Test Fre.	SRF Min.	DCR Max.	Ir Max.
	μH	-	MHz	MHz	Ω	mA
ISLB100505VE-47NK	0.047	10	50	220	0.45	25
ISLB100505VE-68NK	0.068	10	50	210	0.45	25
ISLB100505VE-82NK	0.082	10	50	200	0.45	25
ISLB100505VE-R10K	0.1	10	25	200	0.8	25
ISLB100505VE-R12K	0.12	10	25	165	0.8	25
ISLB100505VE-R15K	0.15	10	25	140	0.9	25
ISLB100505VE-R18K	0.18	10	25	120	0.9	25
ISLB100505VE-R22K	0.22	10	25	110	1.2	25
ISLB100505VE-R27K	0.27	15	25	95	1.2	25
ISLB100505VE-R33K	0.33	15	25	85	1.25	18
ISLB100505UE-R39K	0.39	20	10	85	0.6	15
ISLB100505UE-R47K	0.47	20	10	80	0.7	15
ISLB100505UE-R56K	0.56	20	10	75	0.8	15
ISLB100505UE-R68K	0.68	20	10	70	0.9	15
ISLB100505UE-R82K	0.82	20	10	65	0.9	15
ISLB100505JE-1R0K	1.0	20	10	60	1.0	15
ISLB100505JE-1R2K	1.2	20	10	55	1.25	15
ISLB100505JE-1R5K	1.5	20	10	50	1.40	15
ISLB100505JE-1R8K	1.8	20	10	45	1.55	15
ISLB100505JE-2R2K	2.2	20	10	40	1.7	10
ISLB100505XE-1R0K	1.0	20	10	40	0.9	15
ISLB100505XE-1R2K	1.2	20	10	35	1.2	15
ISLB100505XE-1R5K	1.5	20	10	30	1.2	15
ISLB100505XE-1R8K	1.8	20	10	30	1.45	15
ISLB100505XE-2R2K	2.2	20	10	28	1.7	10
ISLB100505XE-2R7K	2.7	20	10	28	2.4	10
ISLB100505XE-3R3K	3.3	20	10	28	2.7	10

ISLB160808-E

Part Number	Inductance	Test Fre.	SRF Min.	DCR Max.	Ir Max.
	uH	MHz	MHz	Ω	mA
ISLB160808VE-47NK	0.047	1	260	0.12	150
ISLB160808VE-56NK	0.056	1	260	0.12	150
ISLB160808VE-68NK	0.068	1	250	0.12	150
ISLB160808VE-82NK	0.082	1	245	0.12	150
ISLB160808VE-R10K	0.10	1	240	0.15	150
ISLB160808VE-R12K	0.12	1	205	0.20	150
ISLB160808VE-R15K	0.15	1	180	0.20	150
ISLB160808VE-R18K	0.18	1	165	0.20	150
ISLB160808VE-R22K	0.22	1	150	0.25	150
ISLB160808VE-R27K	0.27	1	136	0.30	100
ISLB160808VE-R33K	0.33	1	125	0.30	100
ISLB160808VE-R39K	0.39	1	110	0.35	100
ISLB160808VE-R47K	0.47	1	105	0.45	100
ISLB160808VE-R56K	0.56	1	95	0.45	100
ISLB160808VE-R68K	0.68	1	90	0.55	100
ISLB160808VE-R82K	0.82	1	85	0.60	100
ISLB160808UE-1R0K	1.0	1	75	0.30	150
ISLB160808UE-1R2K	1.2	1	65	0.30	150
ISLB160808UE-1R5K	1.5	1	60	0.35	120
ISLB160808UE-1R8K	1.8	1	55	0.40	120
ISLB160808UE-2R2K	2.2	1	50	0.50	120
ISLB160808UE-2R7K	2.7	1	45	0.60	100
ISLB160808XE-3R3K	3.3	1	40	0.65	100
ISLB160808XE-3R9K	3.9	1	35	0.70	80
ISLB160808XE-4R7K	4.7	1	33	0.75	80
ISLB160808JE-5R6K	5.6	1	22	0.90	60
ISLB160808JE-6R8K	6.8	1	20	0.90	60
ISLB160808JE-8R2K	8.2	1	18	1.05	60
ISLB160808JE-100K	10	1	17	1.15	60
ISLB160808JE-120K	12	1	15	1.25	60

ISLB201209-E

Part Number	Inductance	Test Fre.	SRF Min.	DCR Max.	Ir Max.
	uH	MHz	MHz	Ω	mA
ISLB201209VE-47NK	0.047	1	320	0.15	350
ISLB201209VE-56NK	0.056	1	320	0.15	350
ISLB201209VE-68NK	0.068	1	280	0.20	350
ISLB201209VE-82NK	0.082	1	280	0.20	350
ISLB201209VE-R10K	0.10	1	235	0.20	350
ISLB201209VE-R12K	0.12	1	220	0.20	350
ISLB201209VE-R15K	0.15	1	200	0.20	350
ISLB201209VE-R18K	0.18	1	185	0.25	300
ISLB201209VE-R22K	0.22	1	170	0.25	300
ISLB201209VE-R27K	0.27	1	150	0.25	300
ISLB201209VE-R33K	0.33	1	145	0.25	300
ISLB201209VE-R39K	0.39	1	135	0.30	250
ISLB201209VE-R47K	0.47	1	125	0.30	250
ISLB201209VE-R56K	0.56	1	115	0.36	200
ISLB201209VE-R68K	0.68	1	105	0.36	200
ISLB201209VE-R82K	0.82	1	100	0.36	200
ISLB201209UE-1R0K	1.0	1	75	0.26	220
ISLB201209UE-1R2K	1.2	1	65	0.26	220
ISLB201209UE-1R5K	1.5	1	60	0.30	180
ISLB201209UE-1R8K	1.8	1	55	0.30	180
ISLB201209UE-2R2K	2.2	1	50	0.36	150
ISLB201209UE-2R7K	2.7	1	45	0.36	150
ISLB201209UE-3R3K	3.3	1	41	0.40	120
ISLB201209UE-3R9K	3.9	1	38	0.40	120
ISLB201209UE-4R7K	4.7	1	35	0.40	120
ISLB201209XE-5R6K	5.6	1	32	0.60	100
ISLB201209XE-6R8K	6.8	1	29	0.60	100
ISLB201209XE-8R2K	8.2	1	26	0.65	100
ISLB201209XE-100K	10	1	24	0.65	100
ISLB201209XE-120K	12	1	22	0.65	100
ISLB201209JE-150K	15	1	19	0.75	50
ISLB201209JE-180K	18	1	18	0.75	50
ISLB201209JE-220K	22	1	16	0.75	50

ISLB321609-E

Part Number	Inductance	Test Fre.	SRF Min.	DCR Max.	Ir Max.
	uH	MHz	MHz	Ω	mA
ISLB321609VE-47NK	0.047	1	320	0.15	450
ISLB321609VE-56NK	0.056	1	320	0.15	450
ISLB321609VE-68NK	0.068	1	280	0.20	450
ISLB321609VE-82NK	0.082	1	280	0.20	450
ISLB321609VE-R10K	0.10	1	235	0.20	350
ISLB321609VE-R12K	0.12	1	220	0.20	350
ISLB321609VE-R15K	0.15	1	200	0.20	350
ISLB321609VE-R18K	0.18	1	185	0.20	350
ISLB321609VE-R22K	0.22	1	170	0.20	350
ISLB321609VE-R27K	0.27	1	150	0.20	350
ISLB321609VE-R33K	0.33	1	145	0.20	350
ISLB321609VE-R39K	0.39	1	135	0.30	220
ISLB321609VE-R47K	0.47	1	125	0.30	220
ISLB321609VE-R56K	0.56	1	115	0.30	220
ISLB321609VE-R68K	0.68	1	105	0.30	220
ISLB321609VE-R82K	0.82	1	100	0.30	220
ISLB321609UE-1R0K	1.0	1	75	0.20	250
ISLB321609UE-1R2K	1.2	1	65	0.20	250
ISLB321609UE-1R5K	1.5	1	60	0.25	250
ISLB321609UE-1R8K	1.8	1	55	0.25	250
ISLB321609UE-2R2K	2.2	1	50	0.30	200
ISLB321609UE-2R7K	2.7	1	45	0.30	200
ISLB321609UE-3R3K	3.3	1	41	0.30	200
ISLB321609UE-3R9K	3.9	1	38	0.35	150
ISLB321609UE-4R7K	4.7	1	35	0.35	150
ISLB321609UE-5R6K	5.6	1	32	0.50	100
ISLB321609XE-6R8K	6.8	1	29	0.50	100
ISLB321609XE-8R2K	8.2	1	26	0.50	100
ISLB321609XE-100K	10	1	24	0.50	100
ISLB321609XE-120K	12	1	22	0.60	50
ISLB321609JE-150K	15	1	19	0.80	50
ISLB321609JE-180K	18	1	18	0.80	50
ISLB321609JE-220K	22	1	16	1.00	50